

Espan 340[®] / 470[®]

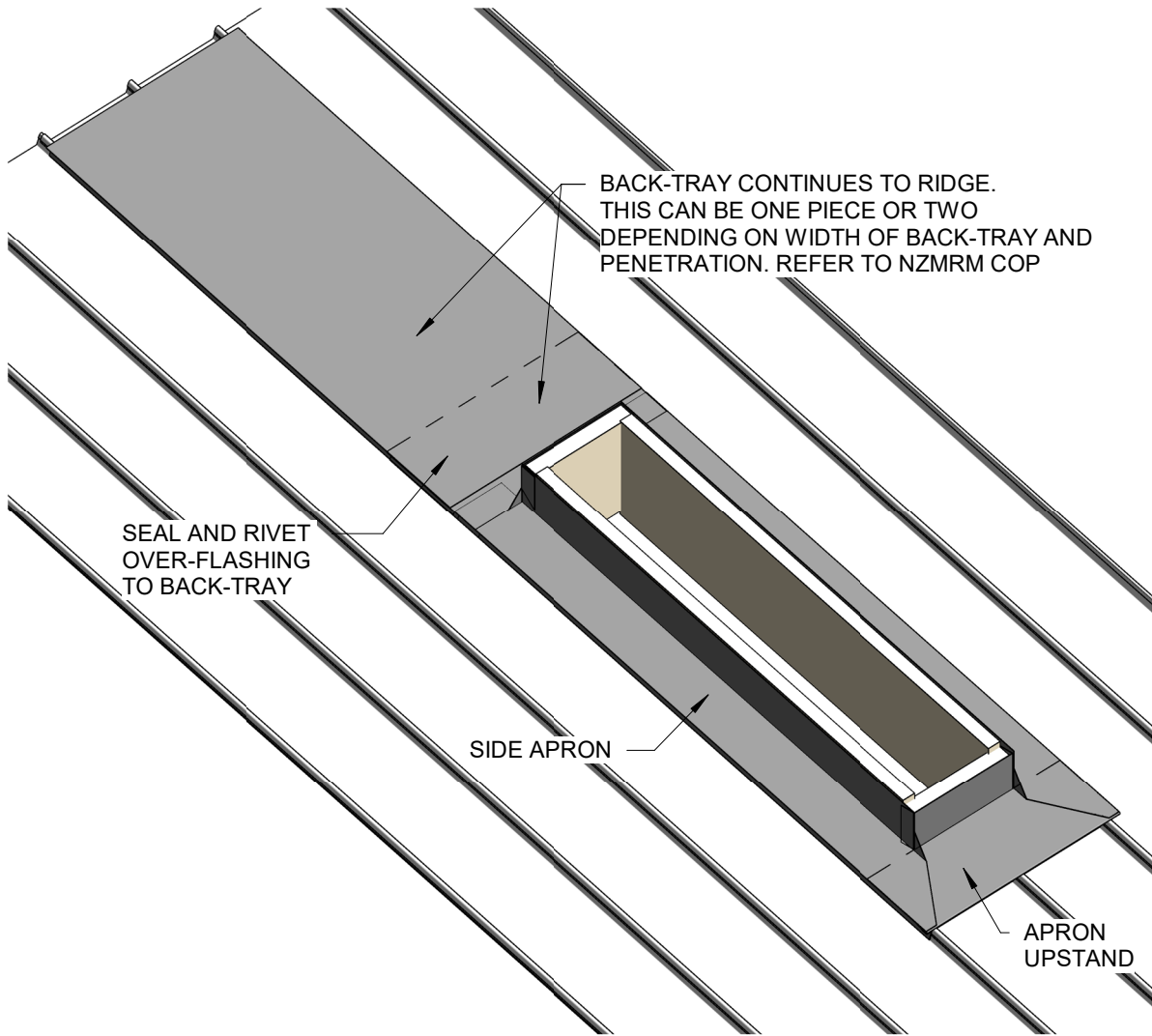
Espan Penetrations

DETAIL LIST

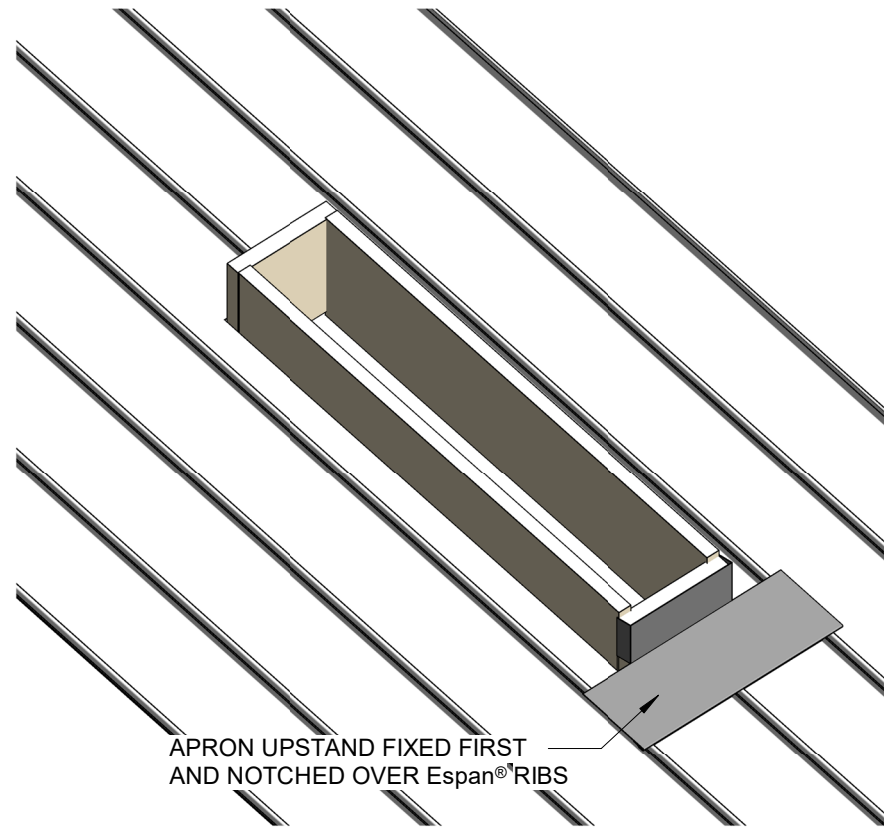
		<u>Revision</u>	<u>Date</u>
F 01	LEVEL OVER FLASHING	2.0	JAN 2023
F 02	LEVEL OVER FLASHING DETAILS	2.0	JAN 2023
F 03	LEVEL UNDER SOAKER	2.0	JAN 2023
F 04	LEVEL UNDER SOAKER DETAIL	2.0	JAN 2023
F 05	CRICKET OVER FLASHING	2.0	JAN 2023
F 06	CRICKET OVER FLASHING DETAILS	2.0	JAN 2023
F 07	CRICKET UNDER SOAKER	2.0	JAN 2023
F 08	CRICKET UNDER SOAKER DETAILS	2.0	JAN 2023

FOR PENETRATIONS WIDER THAN 600mm OR THOSE IN AGGRESSIVE ENVIRONMENTS OR IN SITUATIONS WHERE MAINTENANCE IS DIFFICULT, A CRICKET FLASHING IS REQUIRED.

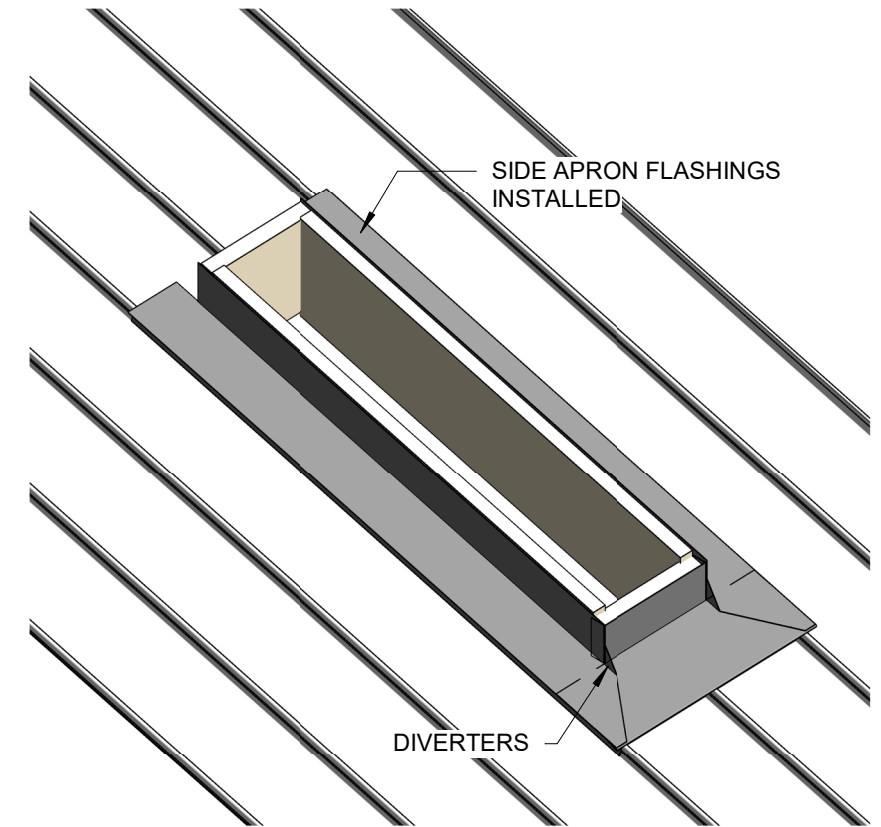
REFER TO NZMRM COP FOR MORE INFORMATION AND GUIDELINES ON PENETRATIONS



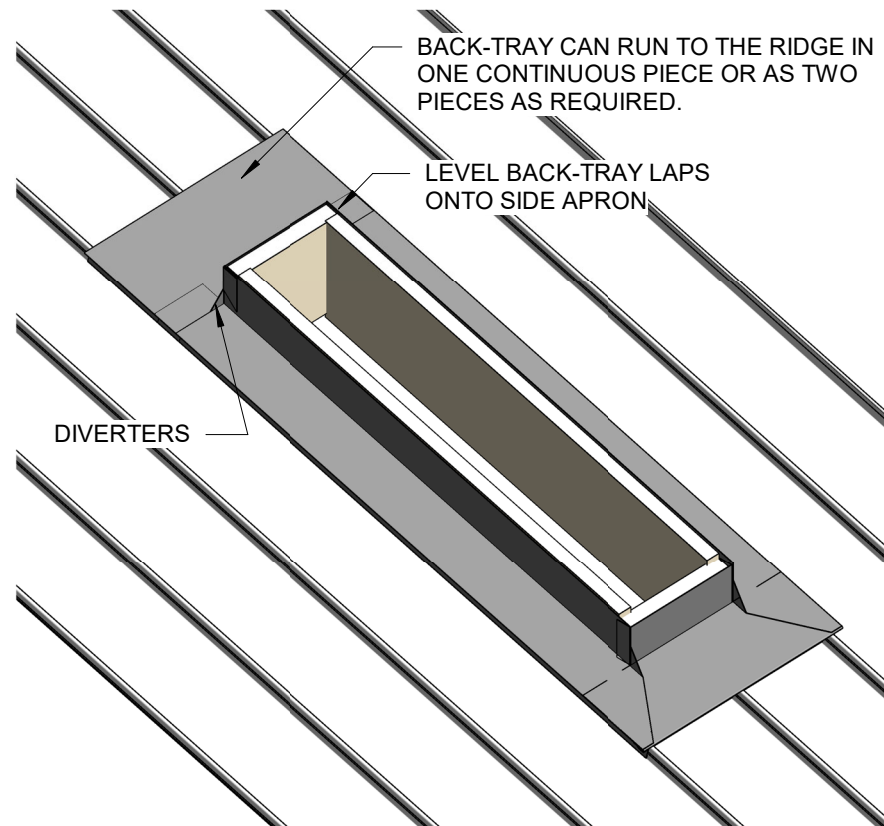
FULLY INSTALLED LEVEL OVER-TRAY PENETRATION DETAIL



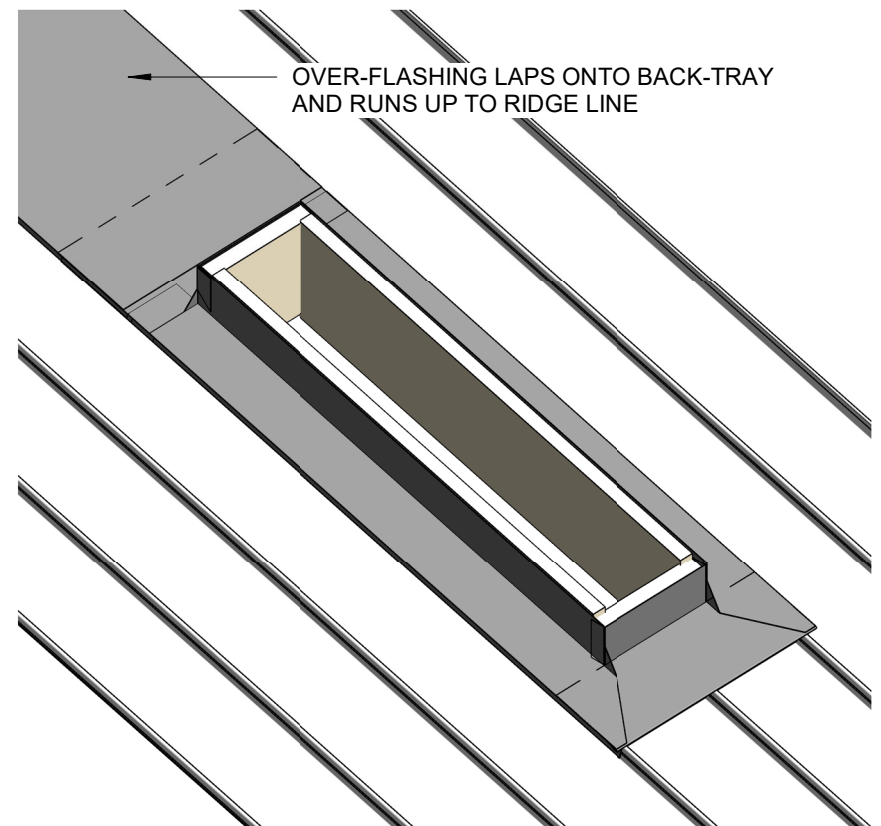
INSTALLATION STAGE 1



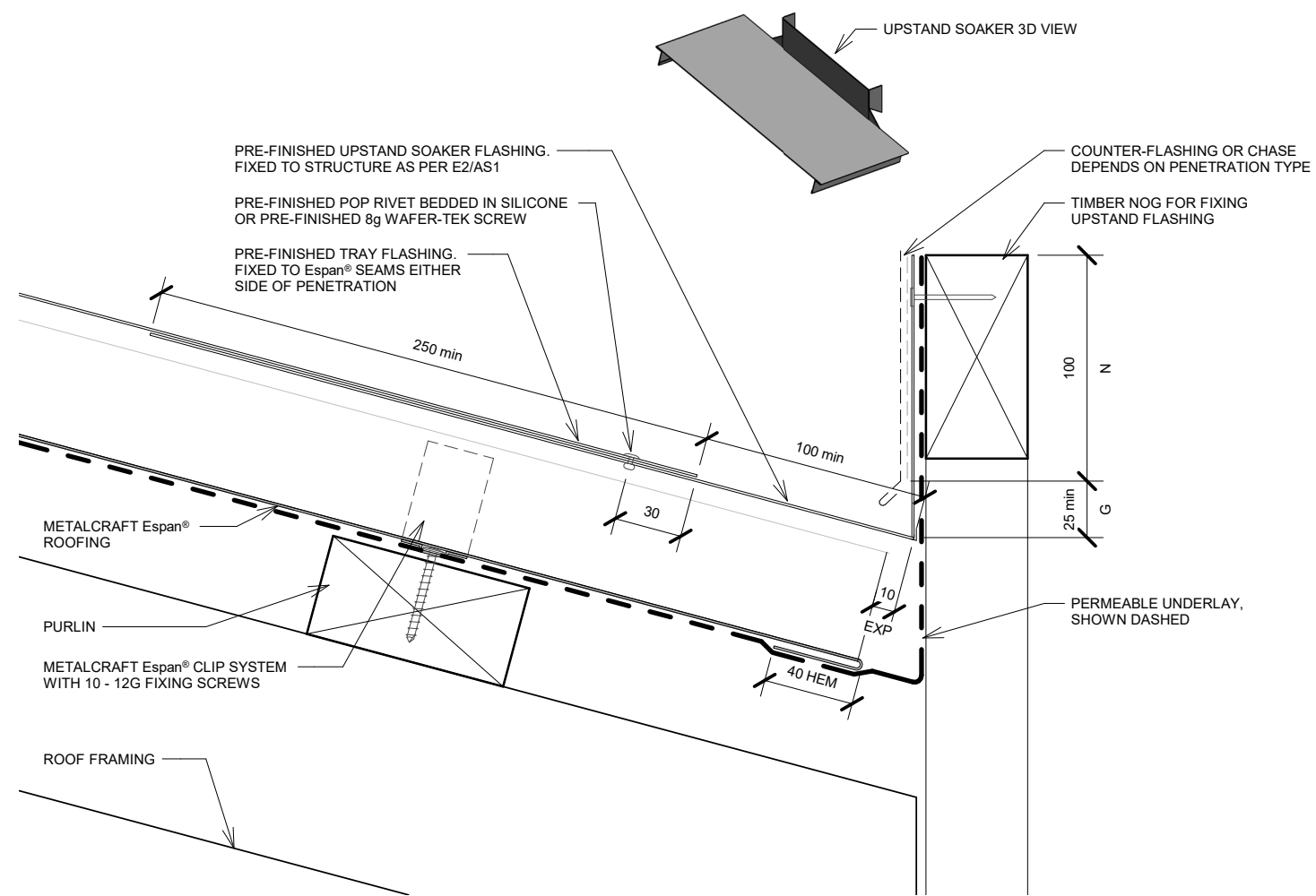
INSTALLATION STAGE 2



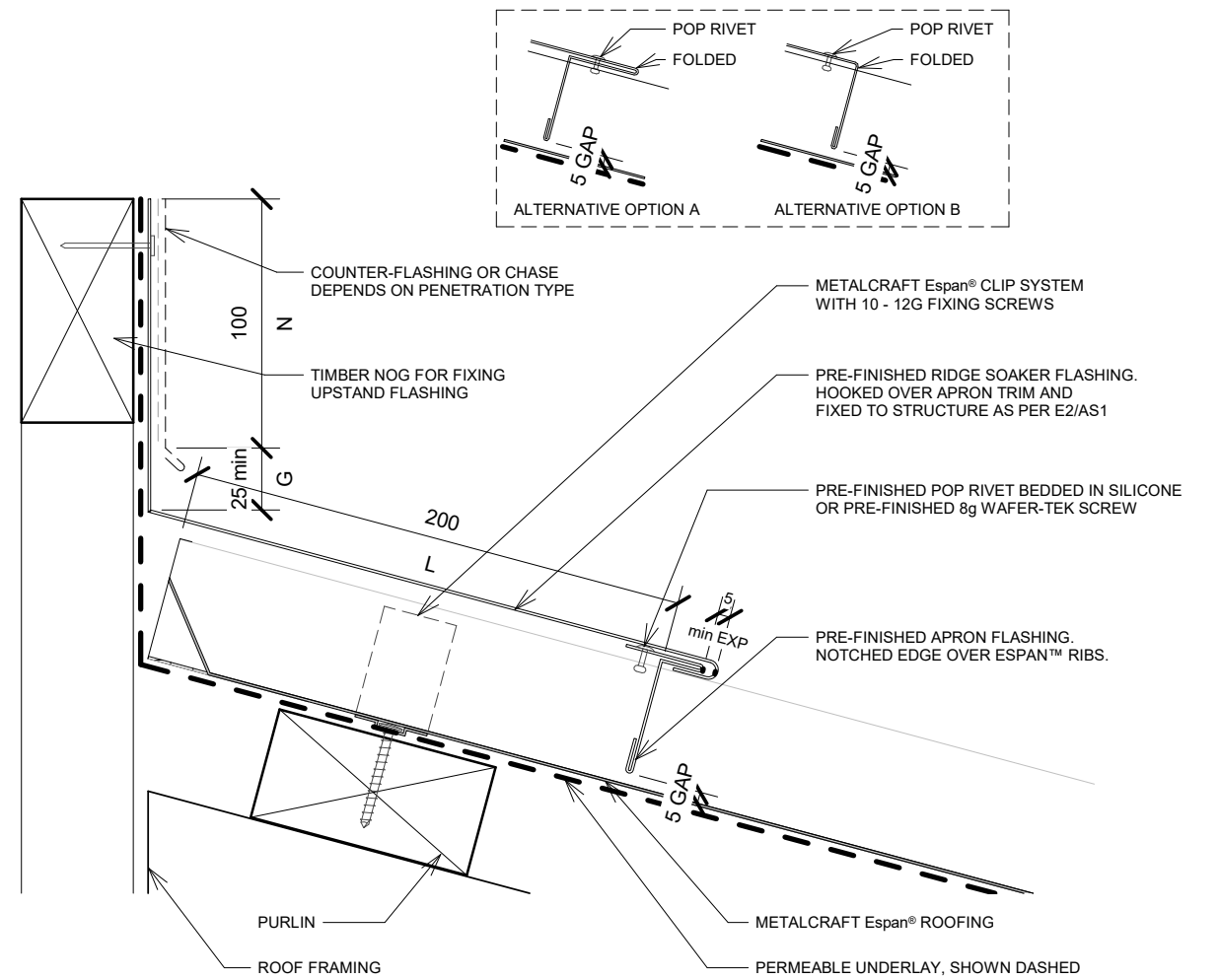
INSTALLATION STAGE 3



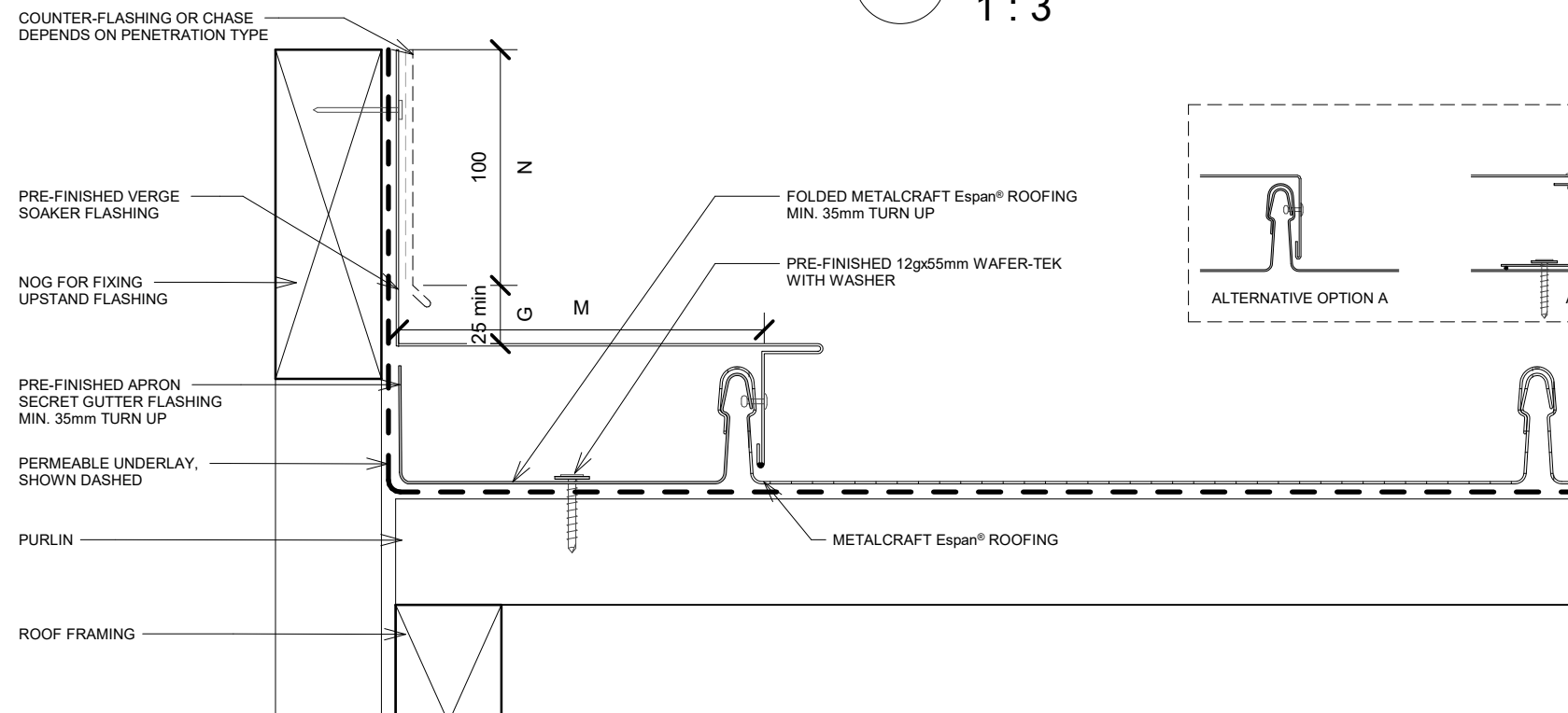
INSTALLATION STAGE 4



2 Upstand With Over-Tray
1 : 3



1 Ridge Soaker Upstand
1 : 3

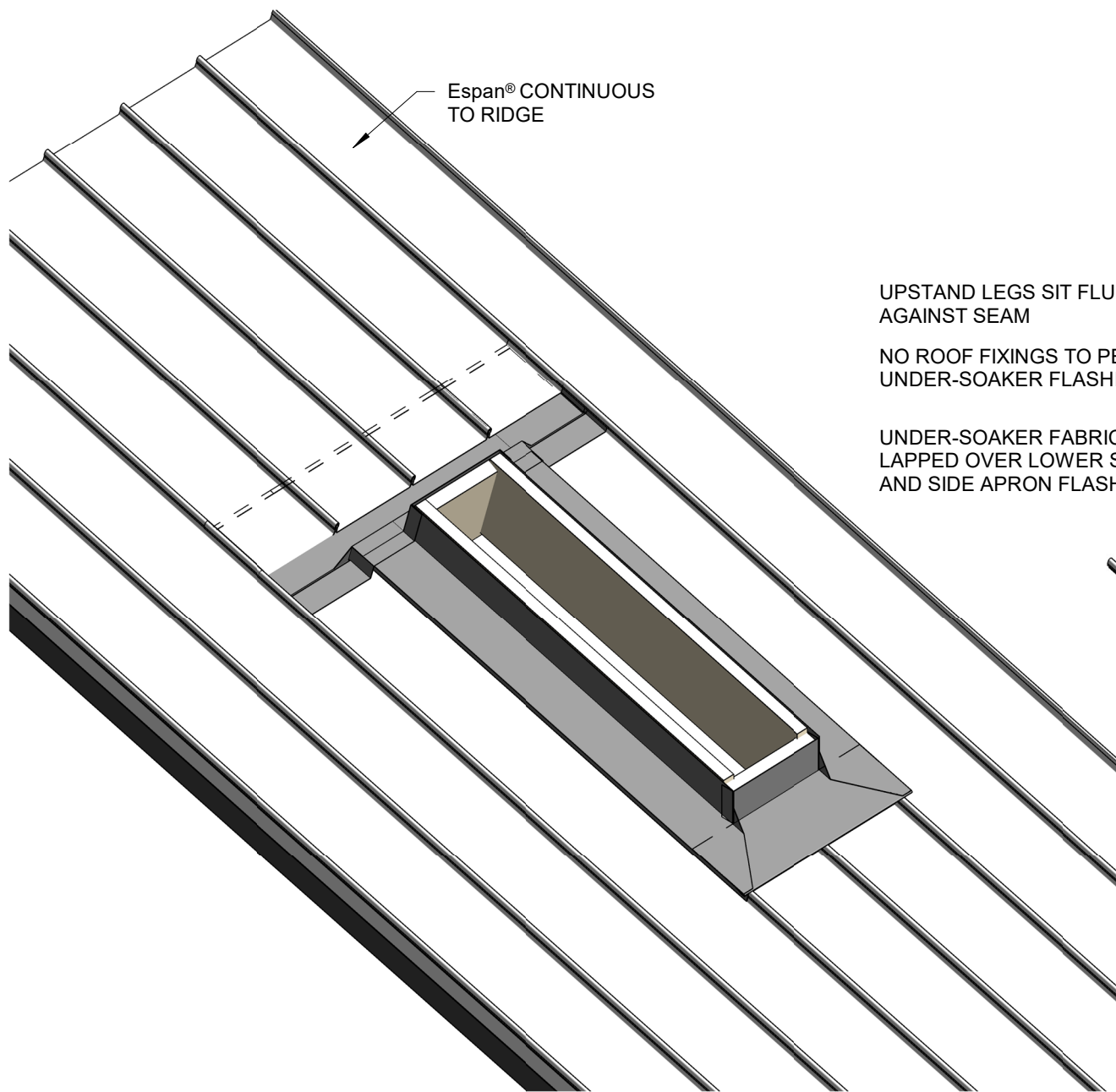
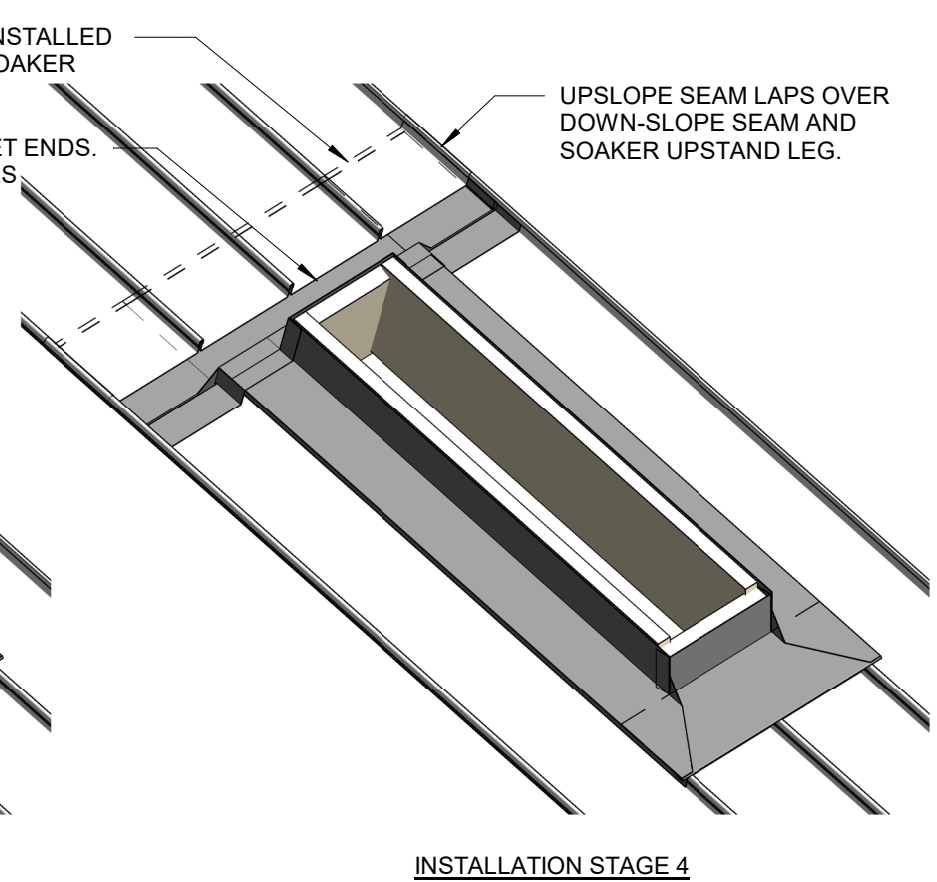
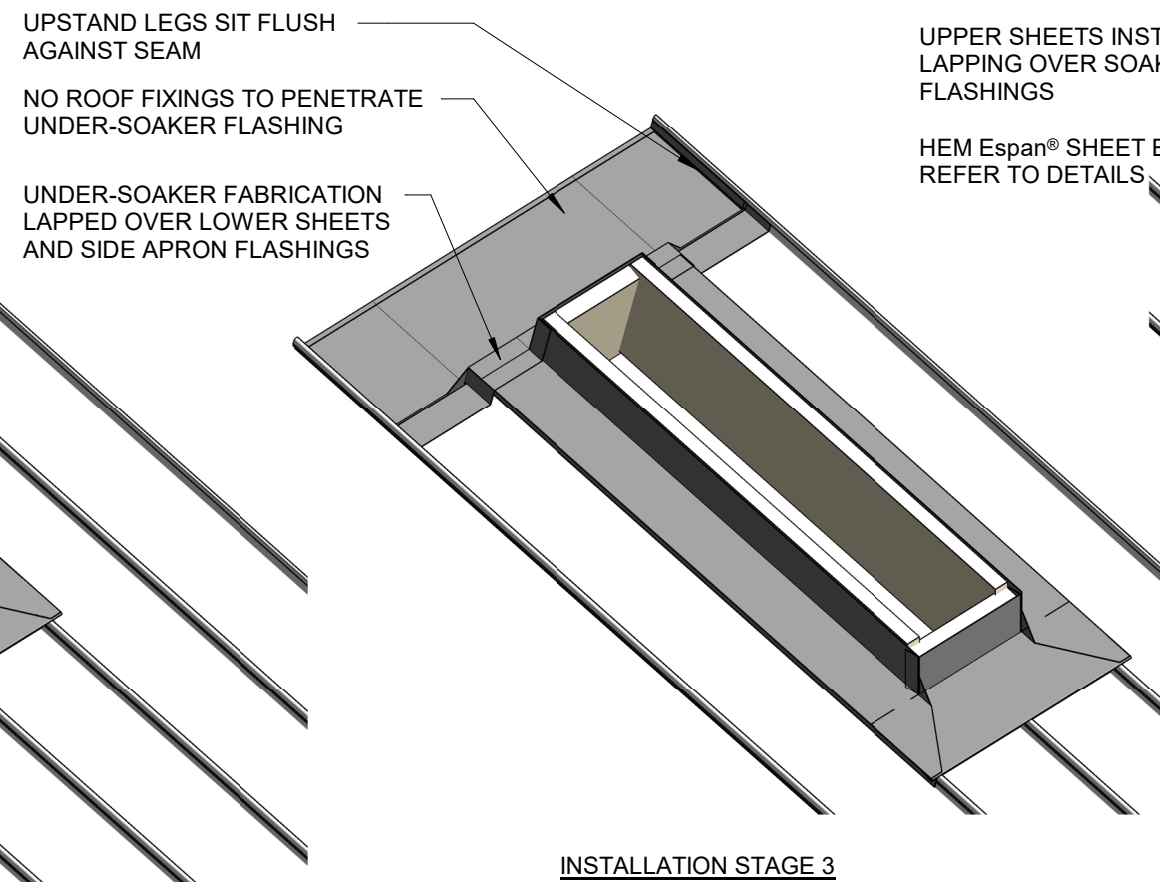
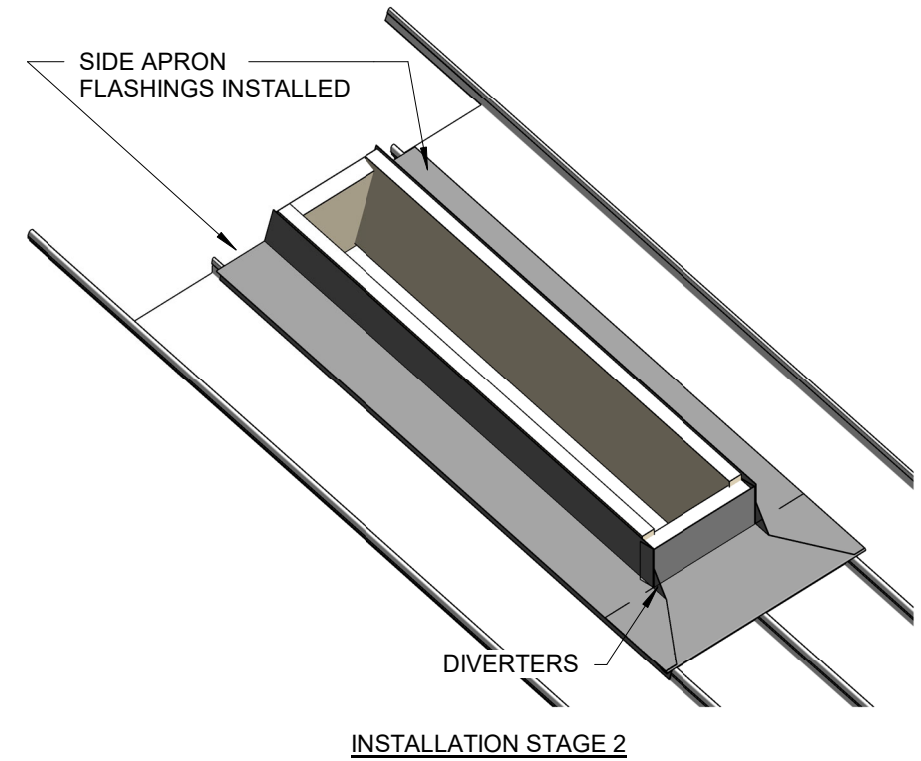
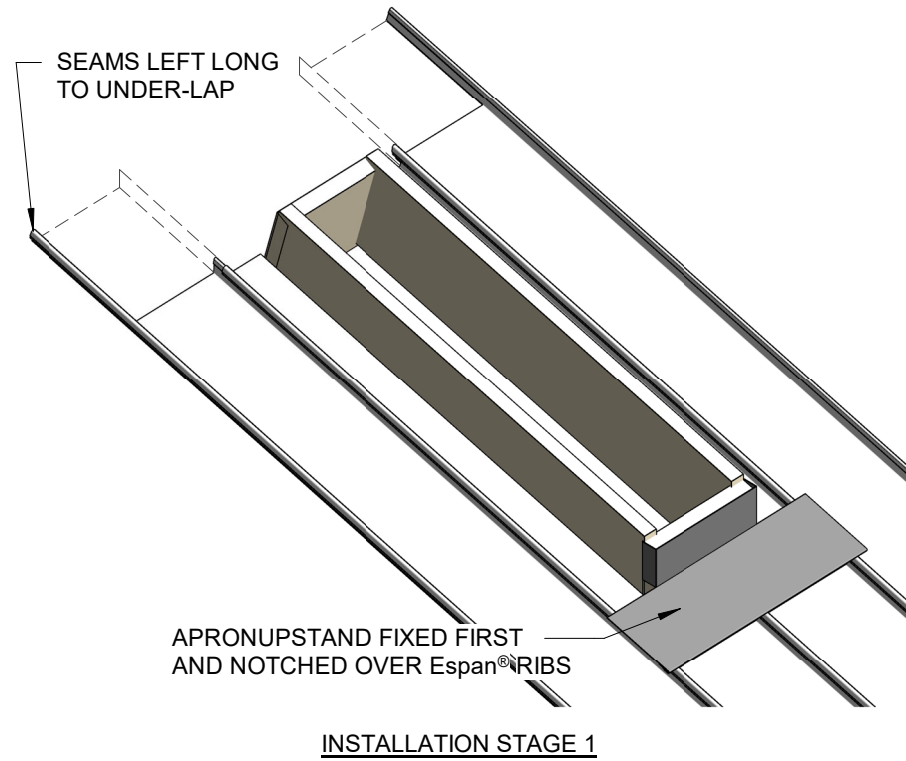


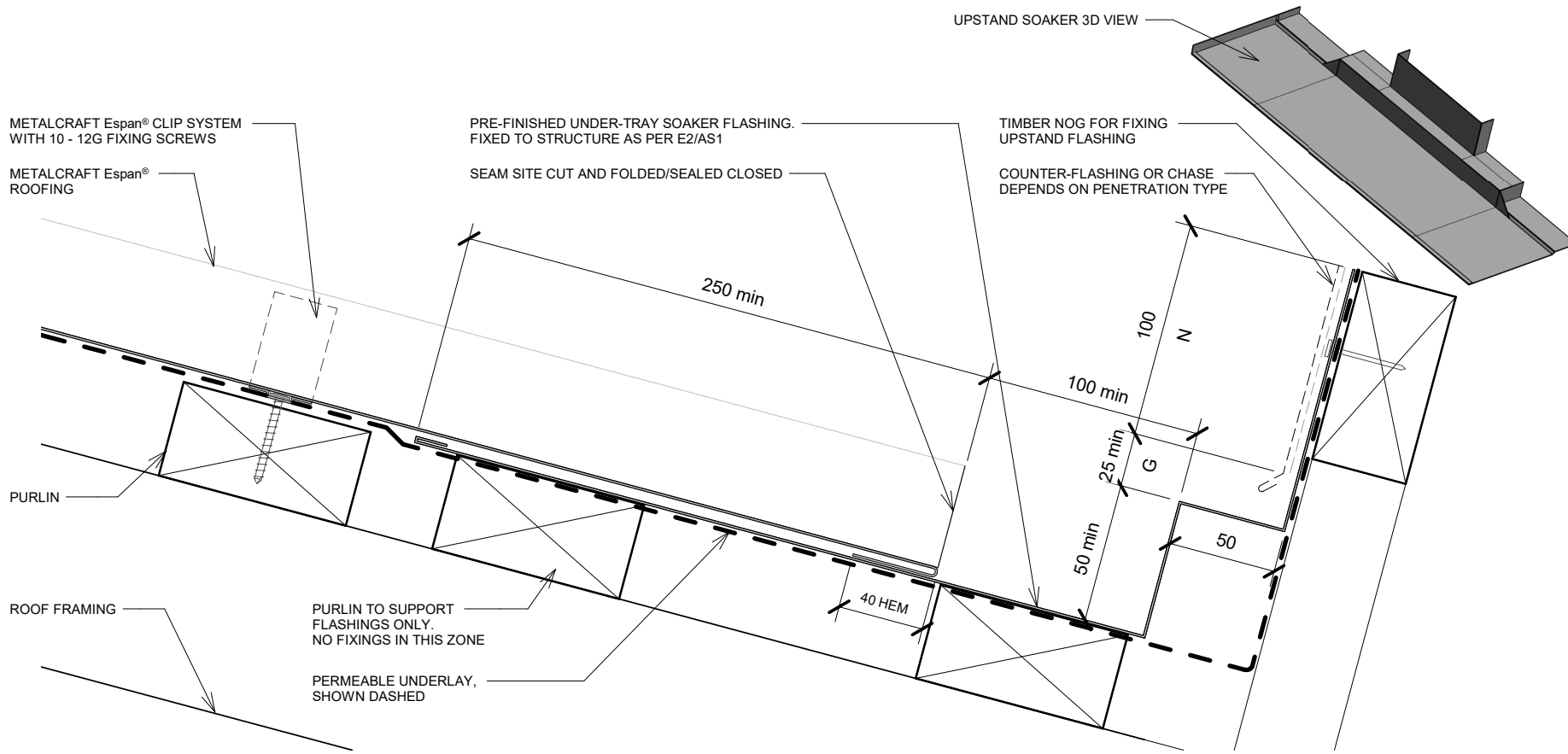
3 Verge Soaker Upstand
1 : 3

DISCLAIMER:
All details are to be used for indicative purposes only and the designer should consult both the MRM code of practice version 3.0 / 2019, E2 and all other relevant building codes. Details of the supporting mechanisms are indicative only. Compliance of the supporting mechanisms is the responsibility of the designer. Construction detail can vary for wall cladding. The underlay is detailed as a single line for simplicity and is indicative only. Building paper type and method of installation should comply with underlay manufacturers recommendations and NZBC regulations.

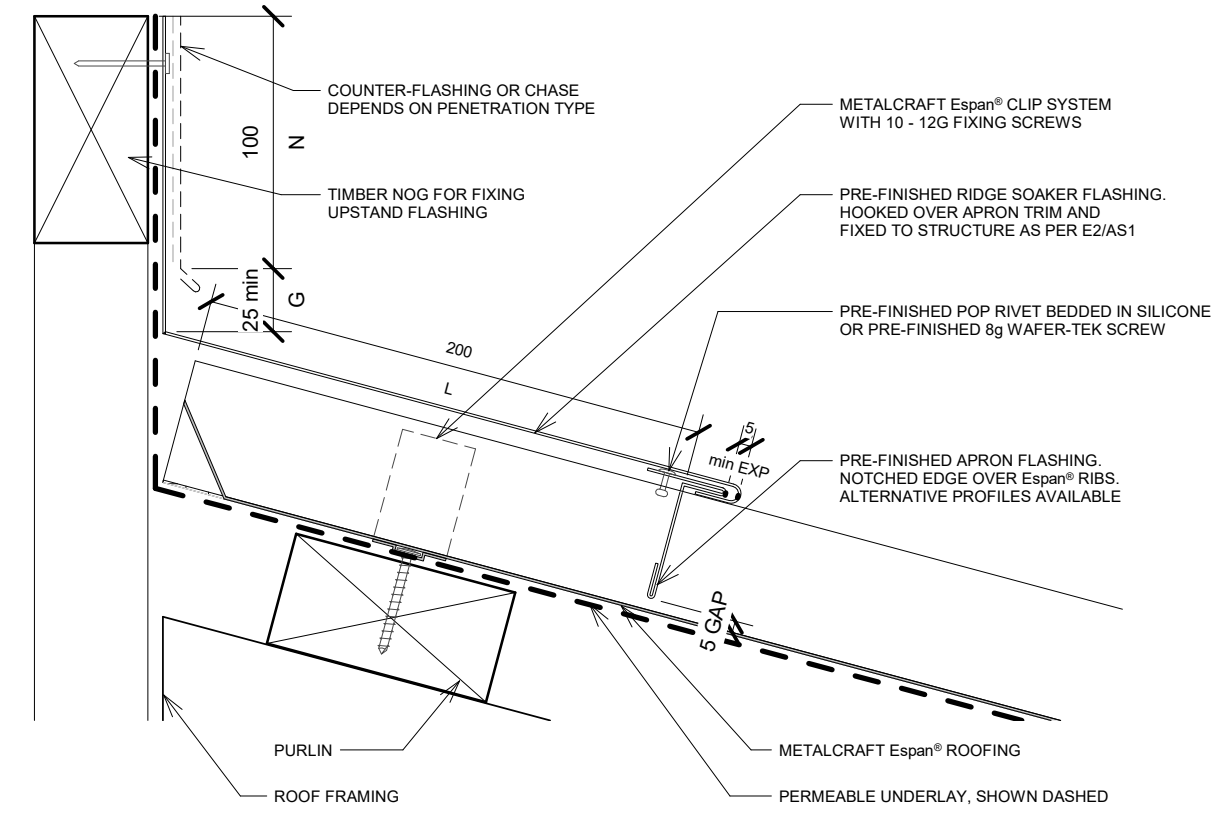
LEVEL UNDER-SOAKER UPSTANDS ARE SUITABLE FOR PENETRATIONS UP TO 600mm WIDE AND ONLY SUITABLE FOR SMALL CATCHMENTS. REFER TO NZMRM COP FOR MORE INFORMATION AND GUIDELINES ON PENETRATIONS

FOR PENETRATIONS WIDER THAN 600mm OR THOSE IN AGGRESSIVE ENVIRONMENTS OR IN SITUATIONS WHERE MAINTENANCE IS DIFFICULT, A CRICKET IS PREFERRED. REFER TO NZMRM COP FOR MORE INFORMATION AND GUIDELINES ON PENETRATIONS

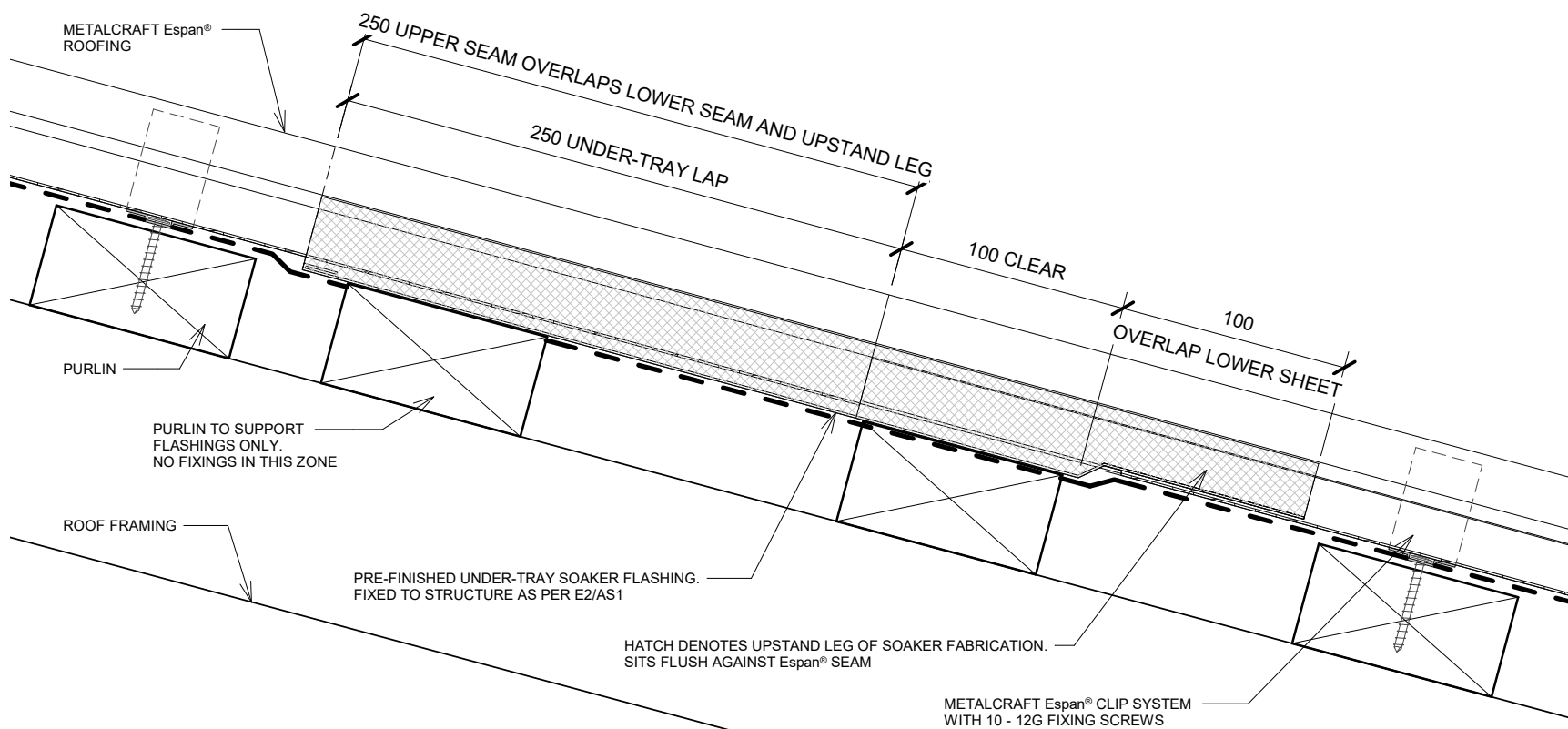




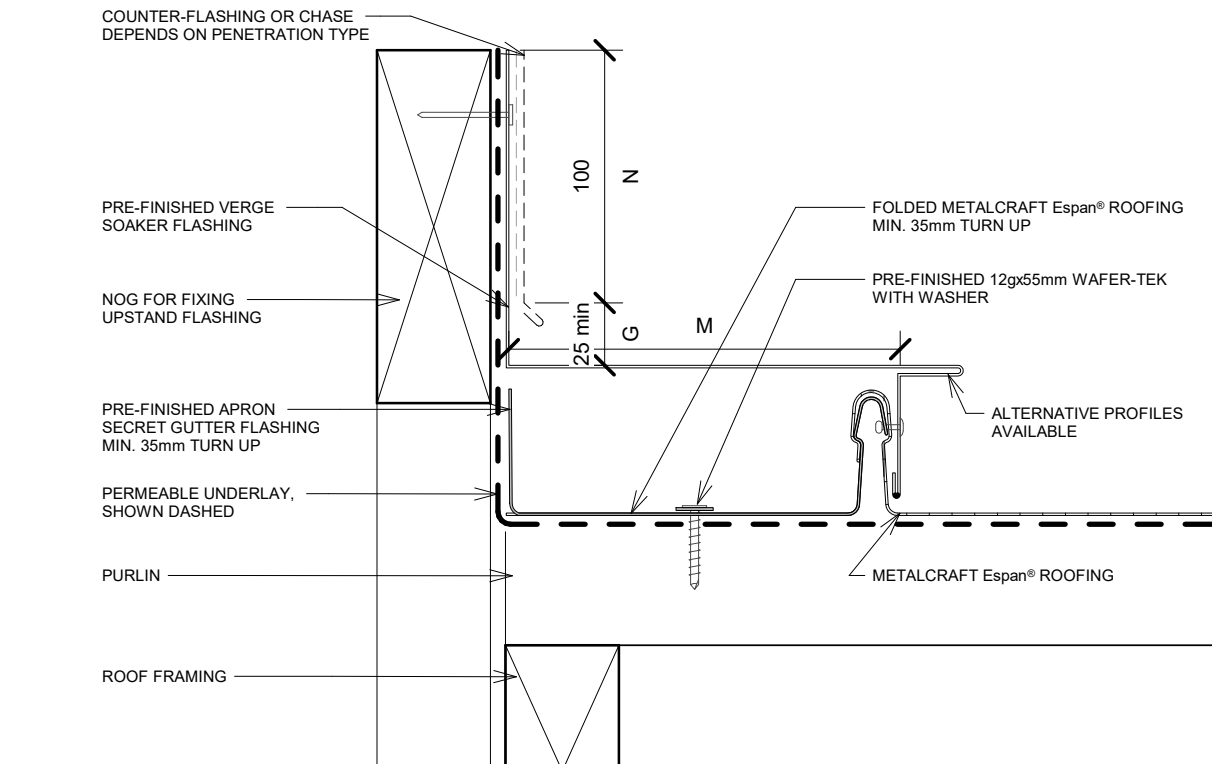
1 Upstand With Under-Tray
1 : 3



2 Ridge Soaker Upstand Dtl
1 : 3



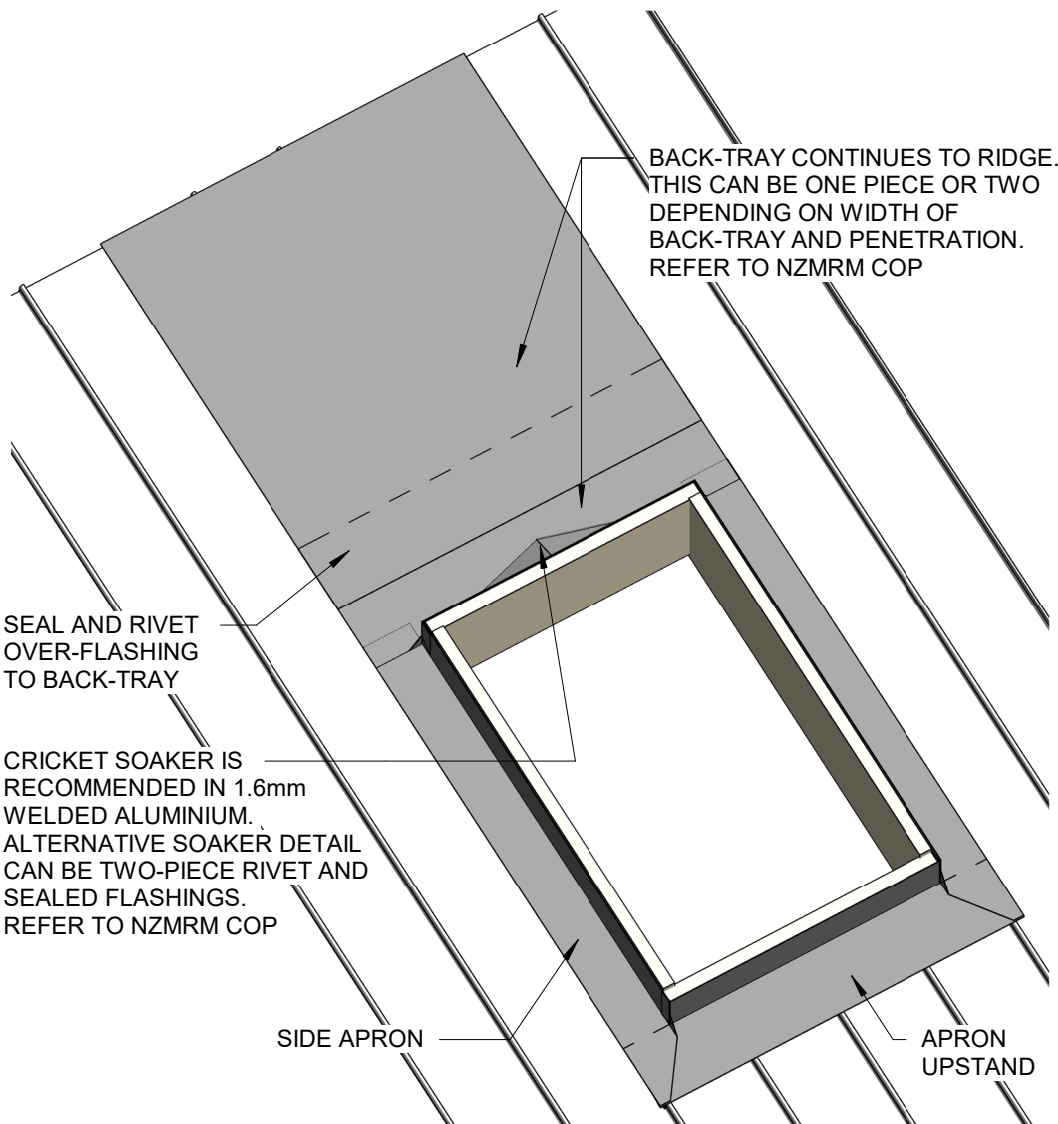
4 Under-Tray Lap Detail
1 : 3



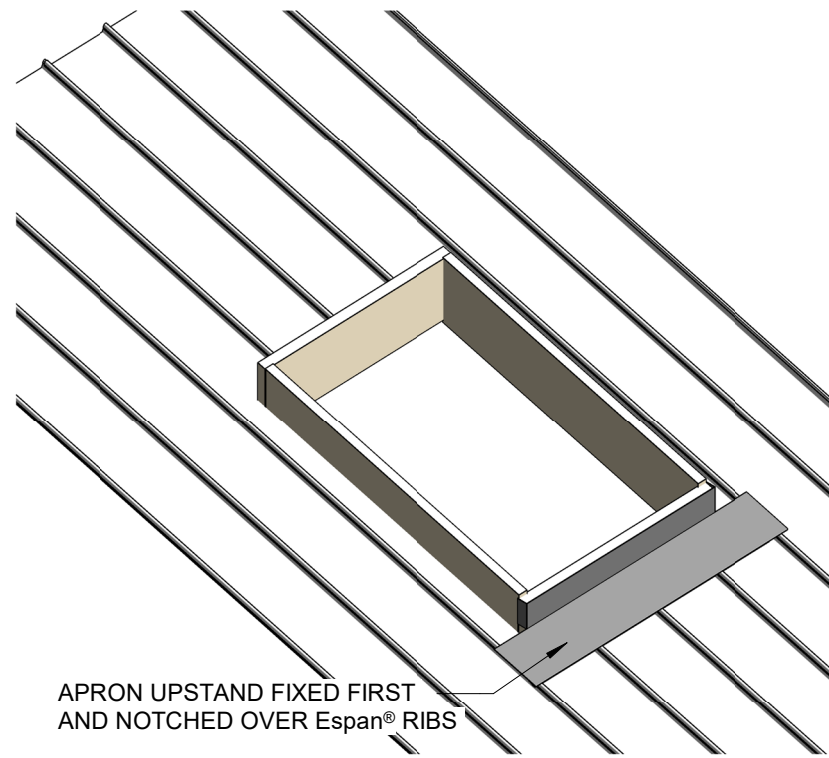
3 Verge Soaker Upstand Dtl
1 : 3

CRICKET OVER FLASHINGS ARE REQUIRED FOR PENETRATIONS OVER 600mm WIDE AND ARE SUITABLE FOR LARGER CATCHMENTS. REFER TO NZMRM COP FOR MORE INFORMATION AND GUIDELINES ON PENETRATIONS

THE MAXIMUM WIDTH OF A WATERSHED FLASHING IS CONTROLLED BY THE COIL WIDTH OF 1.2m. THE PRACTICE OF MAKING WIDER WATERSHED FLASHINGS BY RUNNING FLASHINGS HORIZONTALLY WITH LAPS AT 1.1m IS NOT ACCEPTABLE, AS THE NUMEROUS JOINTS ARE PRONE TO LEAKAGE. WIDER WATERSHED FLASHINGS CAN BE FABRICATED USING LONGITUDINAL STANDING-SEAM TECHNIQUES ON SUITABLE SUPPORT. REFER NZMRM CODE OF PRACTICE.

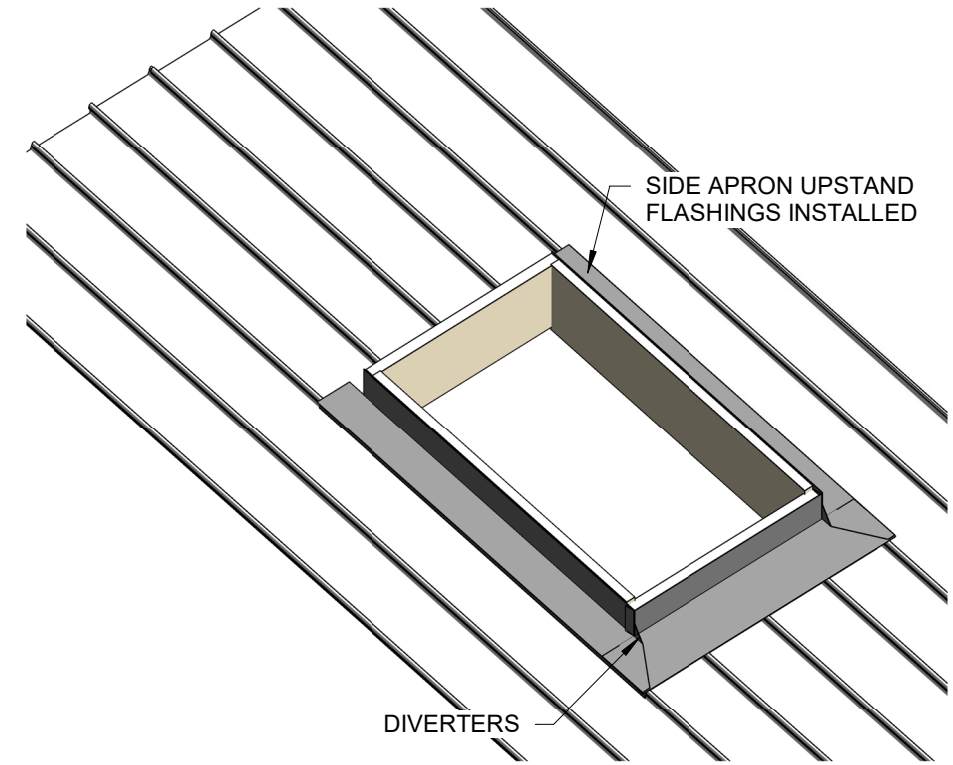


FULLY INSTALLED CRICKET OVER-FLASHING TO WIDE OPENING >600mm



APRON UPSTAND FIXED FIRST AND NOTCHED OVER Espan® RIBS

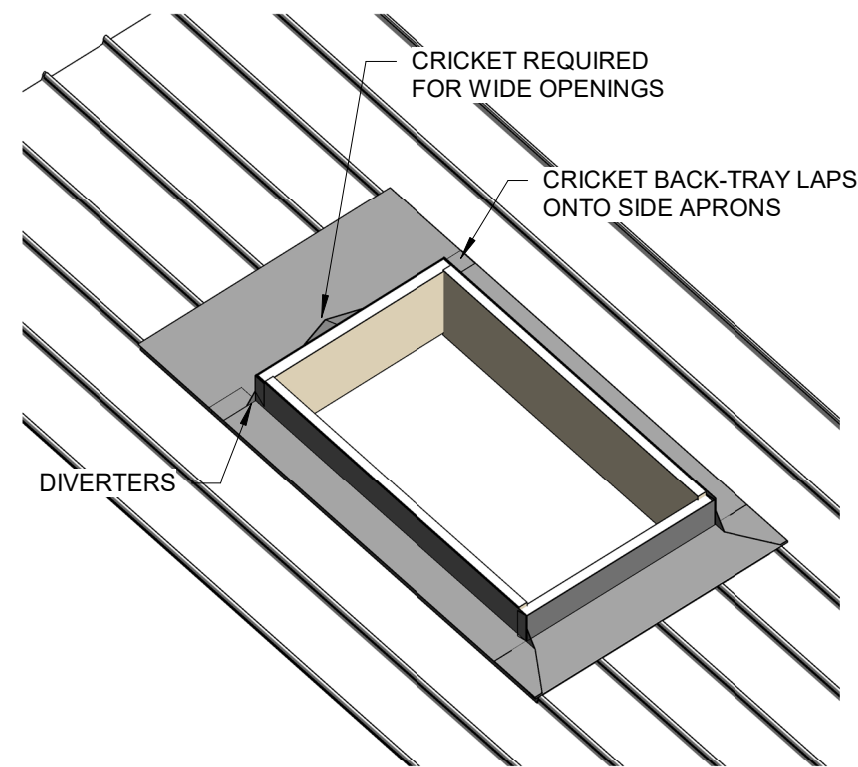
INSTALLATION STAGE 1



SIDE APRON UPSTAND FLASHINGS INSTALLED

DIVERTERS

INSTALLATION STAGE 2

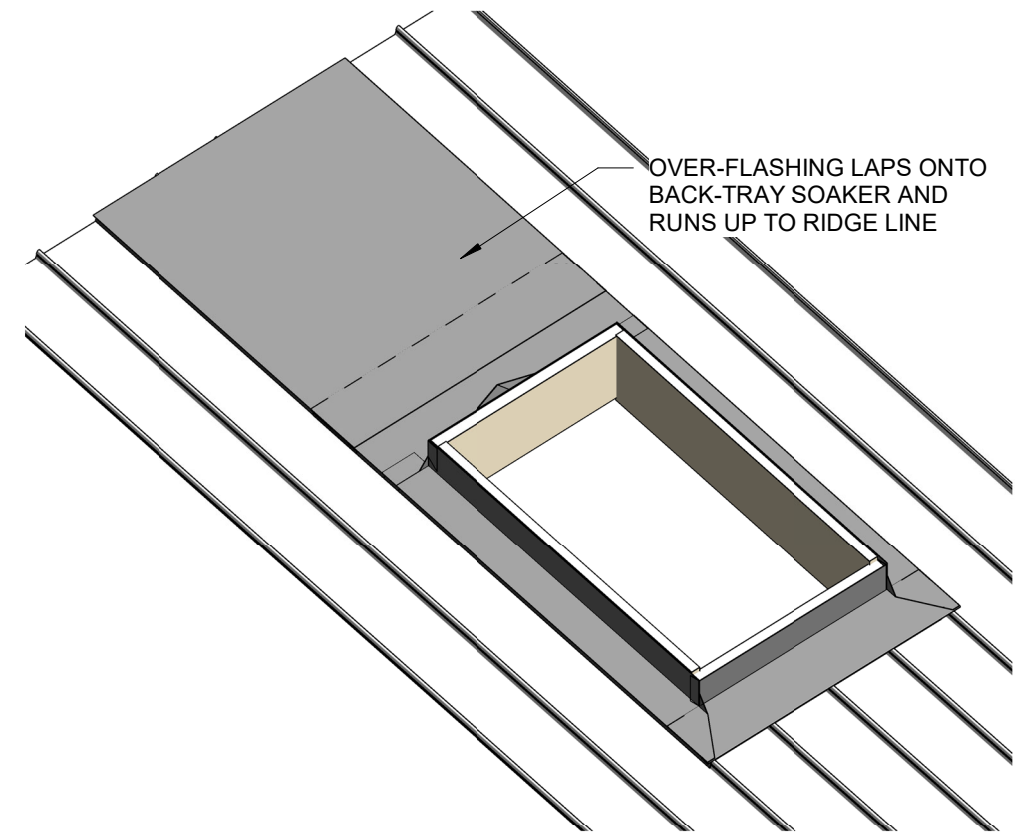


CRICKET REQUIRED FOR WIDE OPENINGS

CRICKET BACK-TRAY LAPS ONTO SIDE APRONS

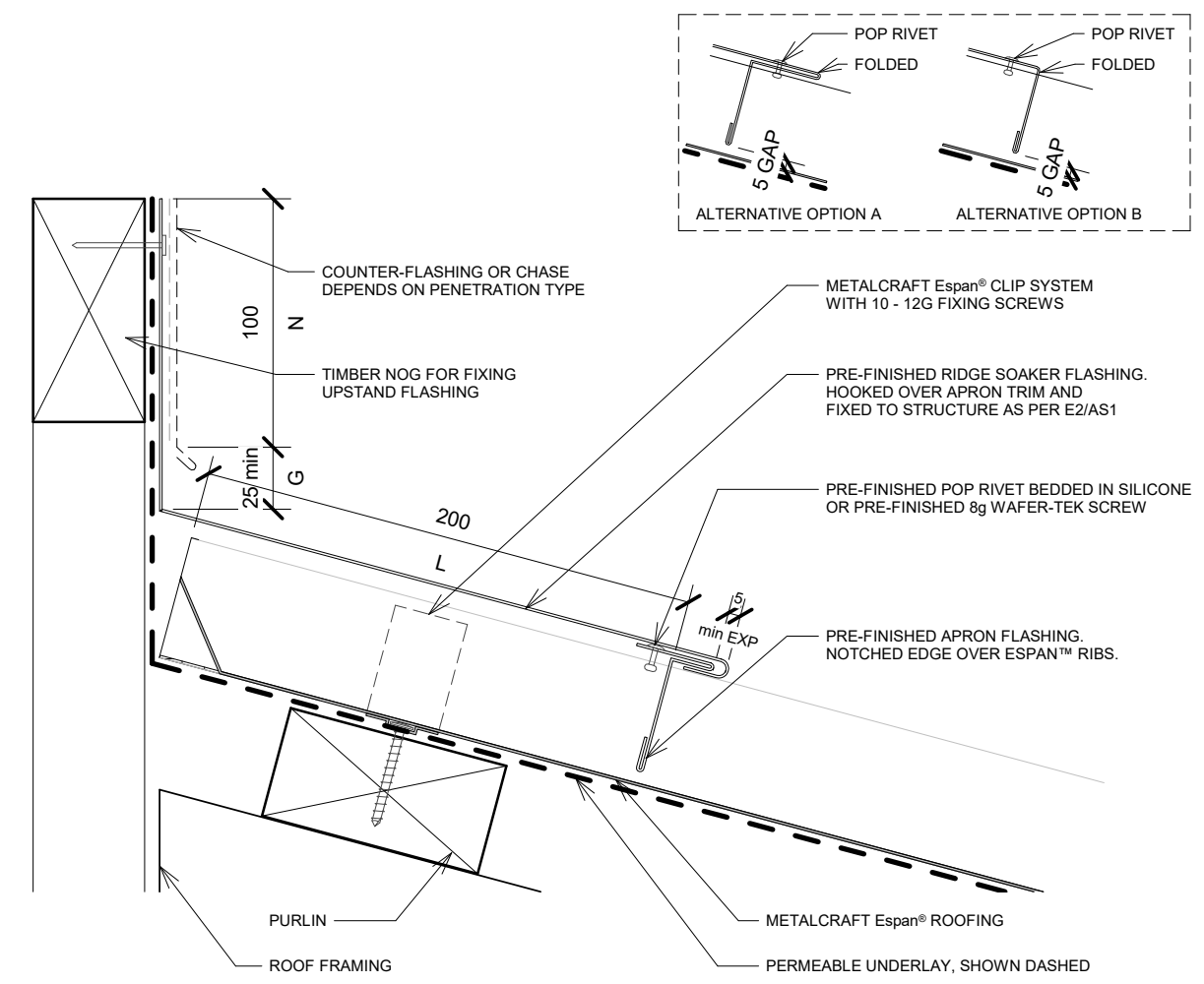
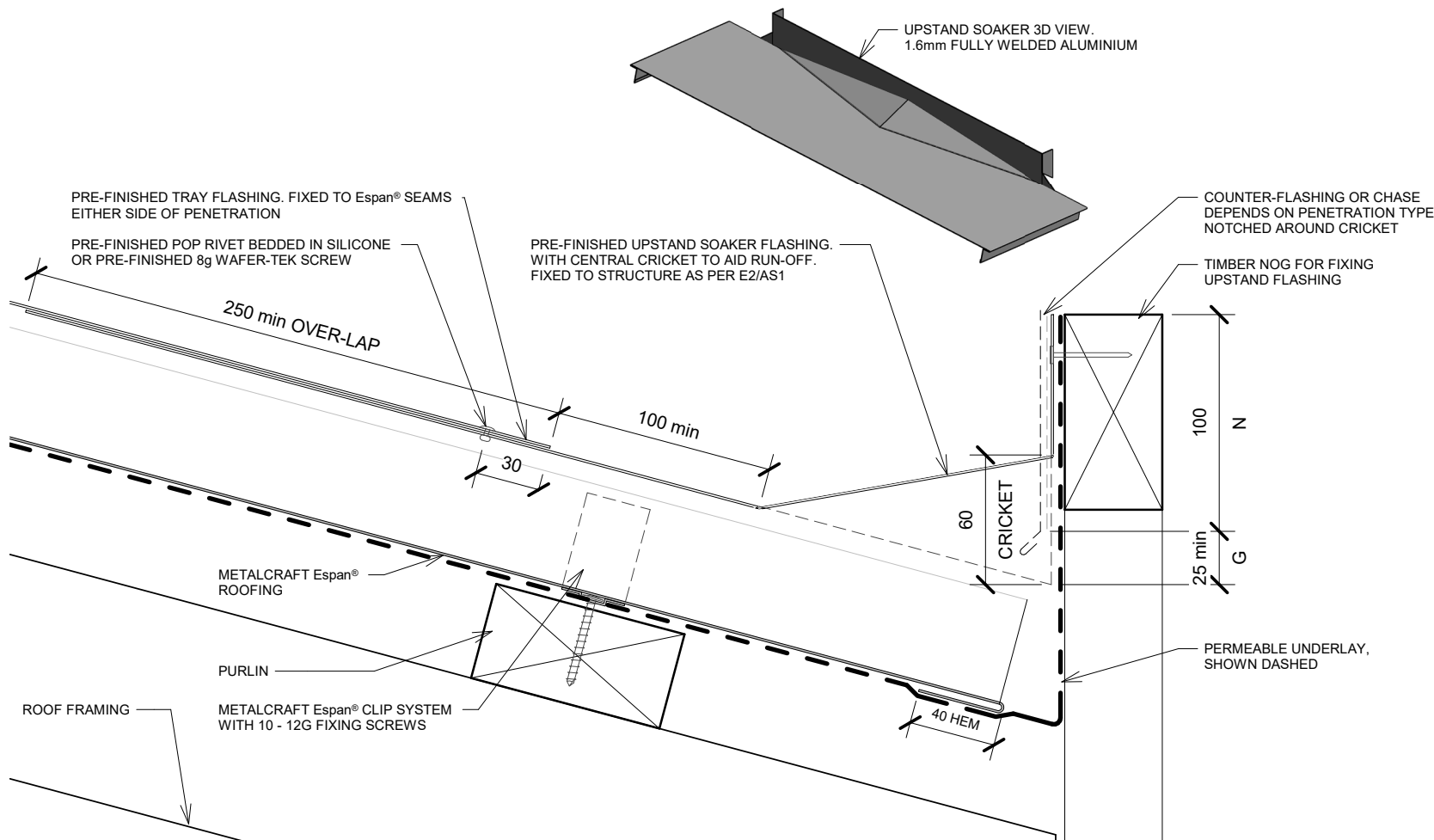
DIVERTERS

INSTALLATION STAGE 3



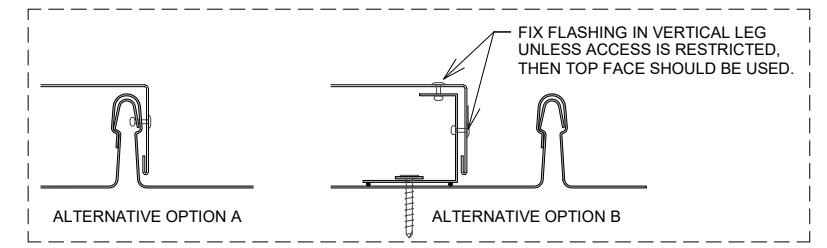
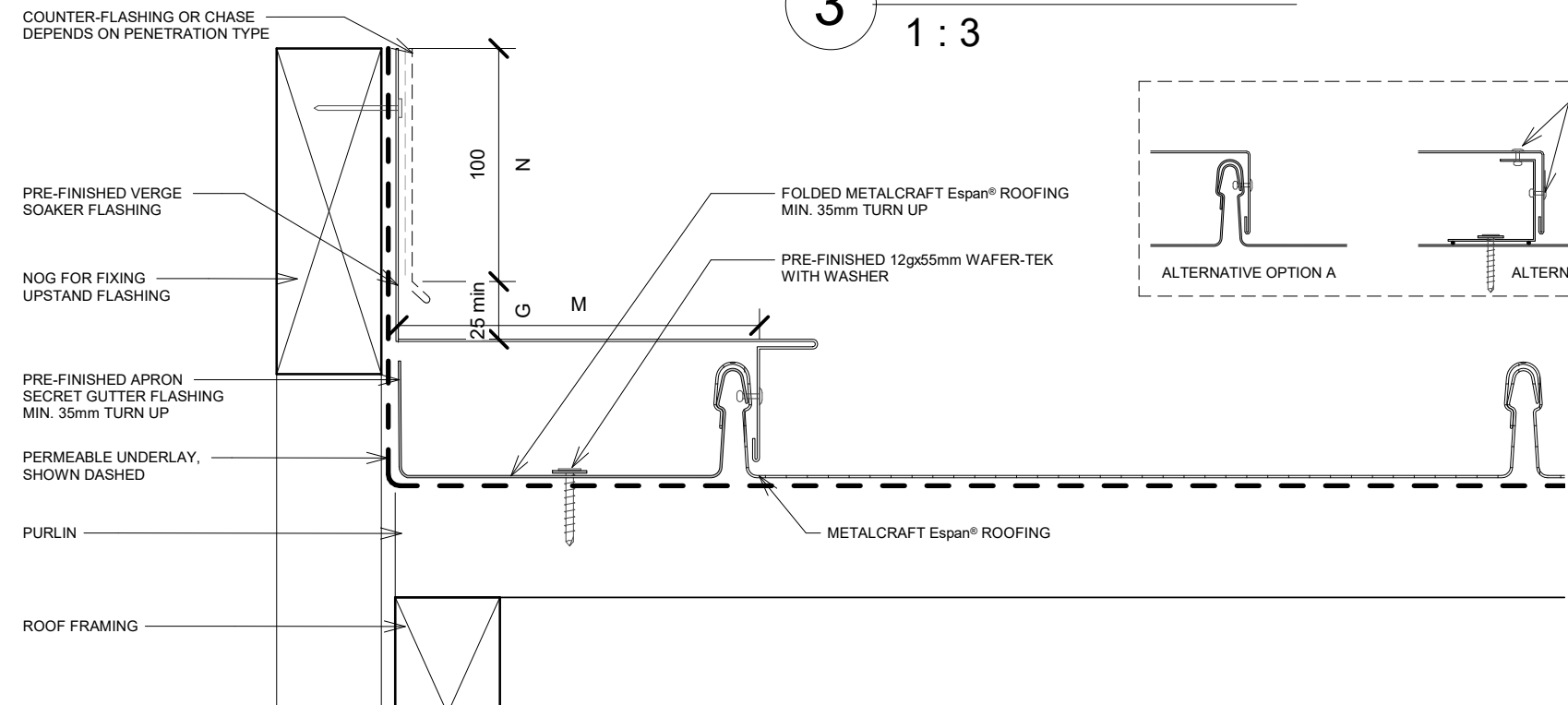
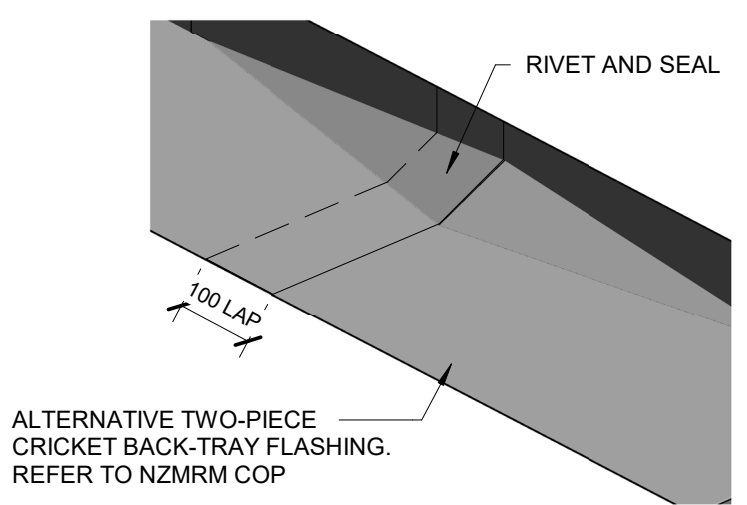
OVER-FLASHING LAPS ONTO BACK-TRAY SOAKER AND RUNS UP TO RIDGE LINE

INSTALLATION STAGE 4



1 Wide Upstand Over-Tray
1 : 3

3 Ridge Upstand
1 : 3

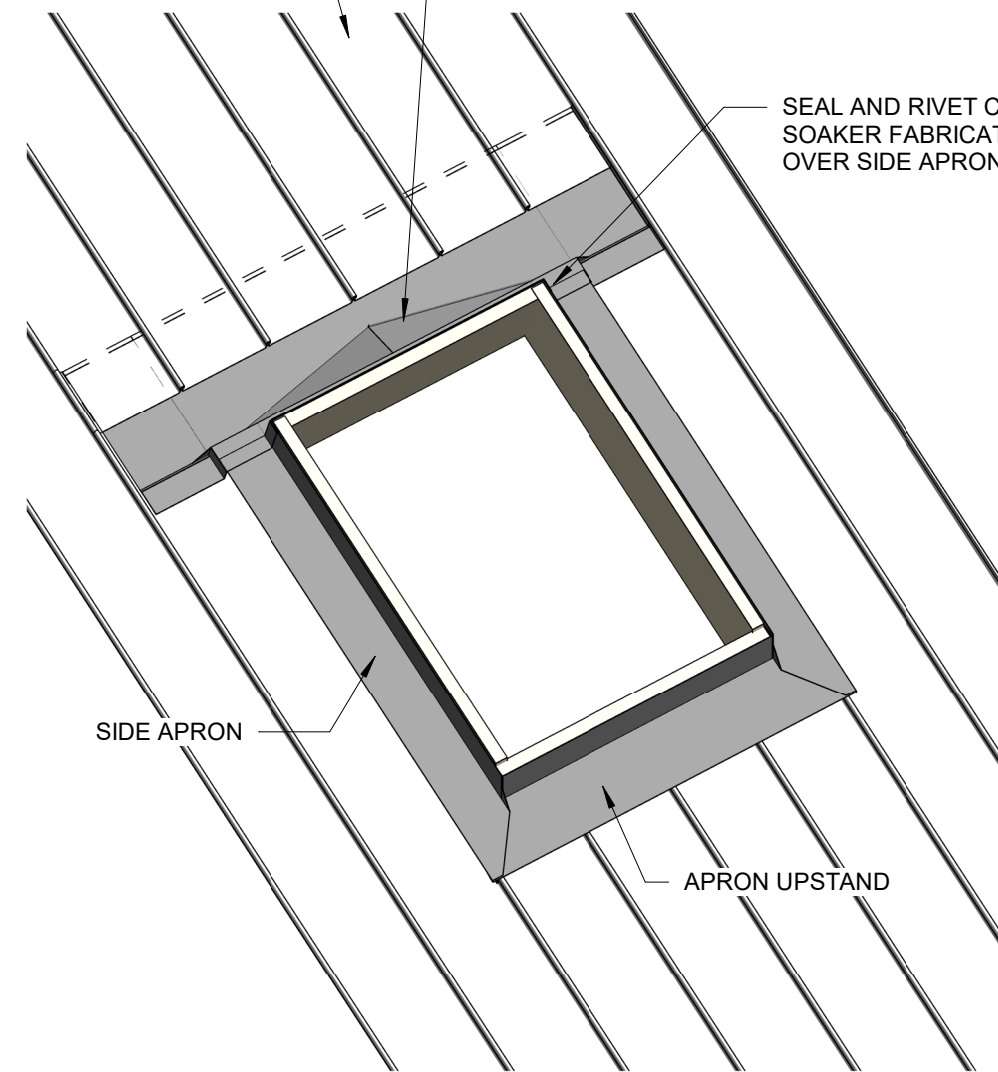


2 Verge Upstand
1 : 3

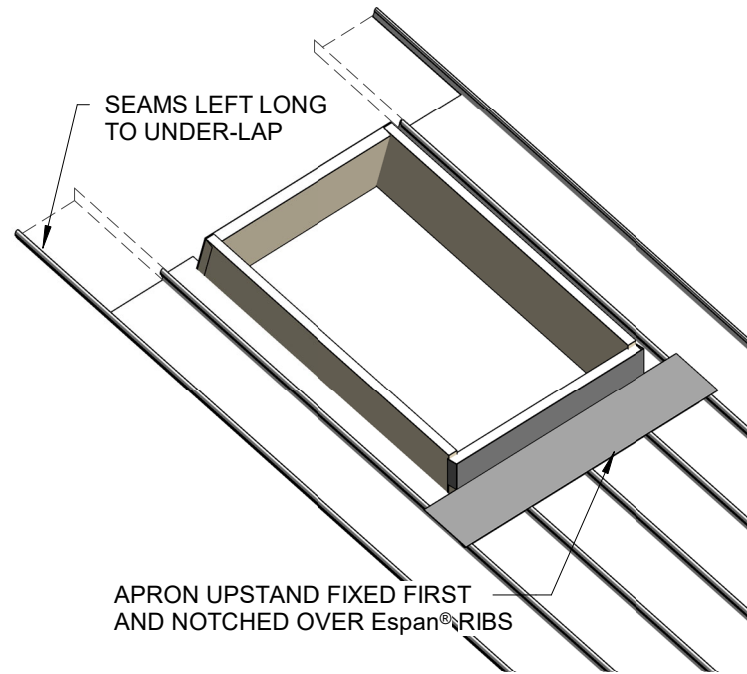
CRICKET OVER-FLASHINGS ARE REQUIRED FOR PENETRATIONS OVER 600mm WIDE AND SUITABLE FOR LARGER CATCHMENTS. REFER TO NZMRM COP FOR MORE INFORMATION AND GUIDELINES ON PENETRATIONS

Espan® CONTINUOUS TO RIDGE
 CRICKET SOAKER FABRICATION IS RECOMMENDED IN 1.6mm WELDED ALUMINIUM. ALTERNATIVE SOAKER DETAIL CAN BE TWO-PIECE RIVET AND SEALED FLASHINGS. REFER TO NZMRM COP

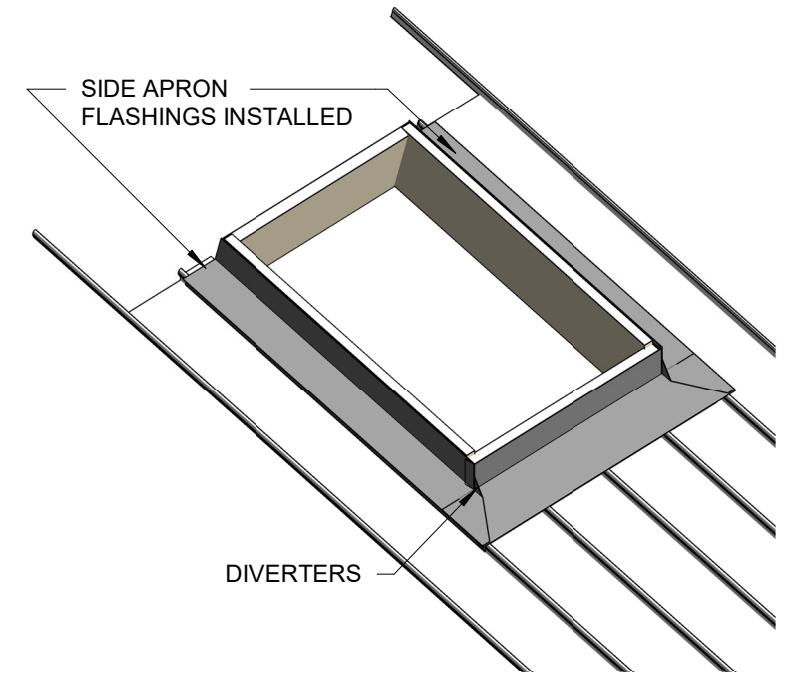
SEAL AND RIVET CRICKET SOAKER FABRICATION OVER SIDE APRON



FULLY INSTALLED CRICKET UNDER-SOAKER TO WIDE OPENING >600mm

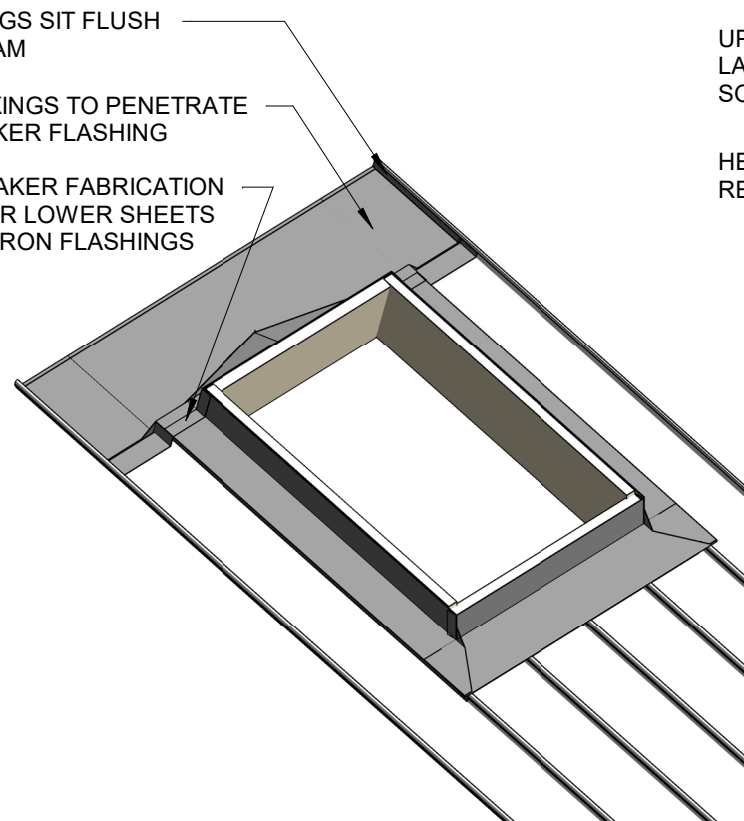


INSTALLATION STAGE 1



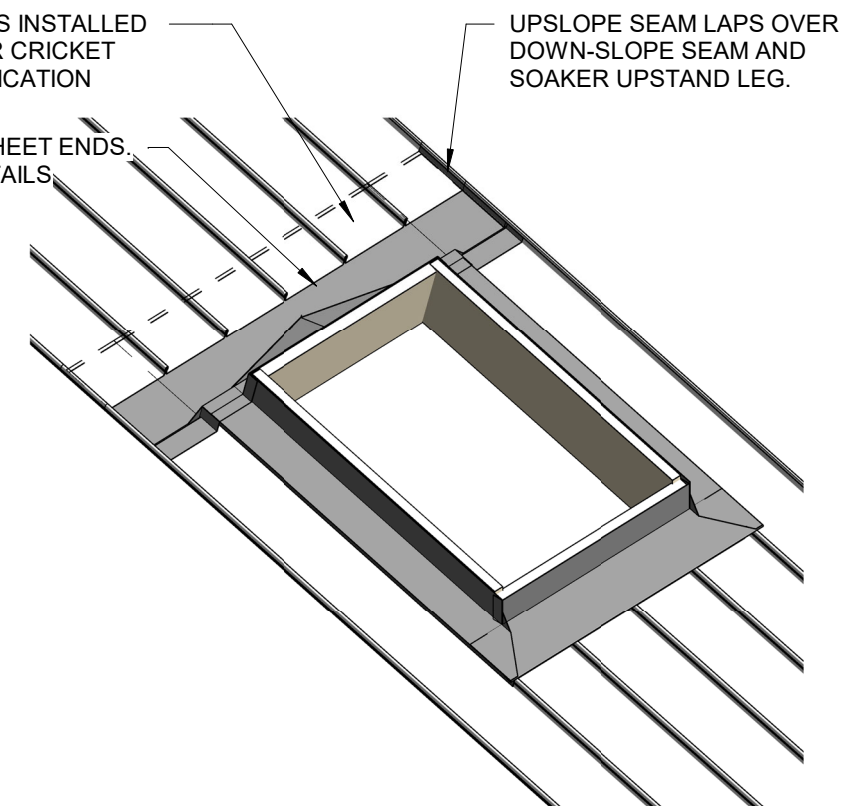
INSTALLATION STAGE 2

UPSTAND LEGS SIT FLUSH AGAINST SEAM
 NO ROOF FIXINGS TO PENETRATE UNDER-SOAKER FLASHING
 CRICKET SOAKER FABRICATION LAPPED OVER LOWER SHEETS AND SIDE APRON FLASHINGS

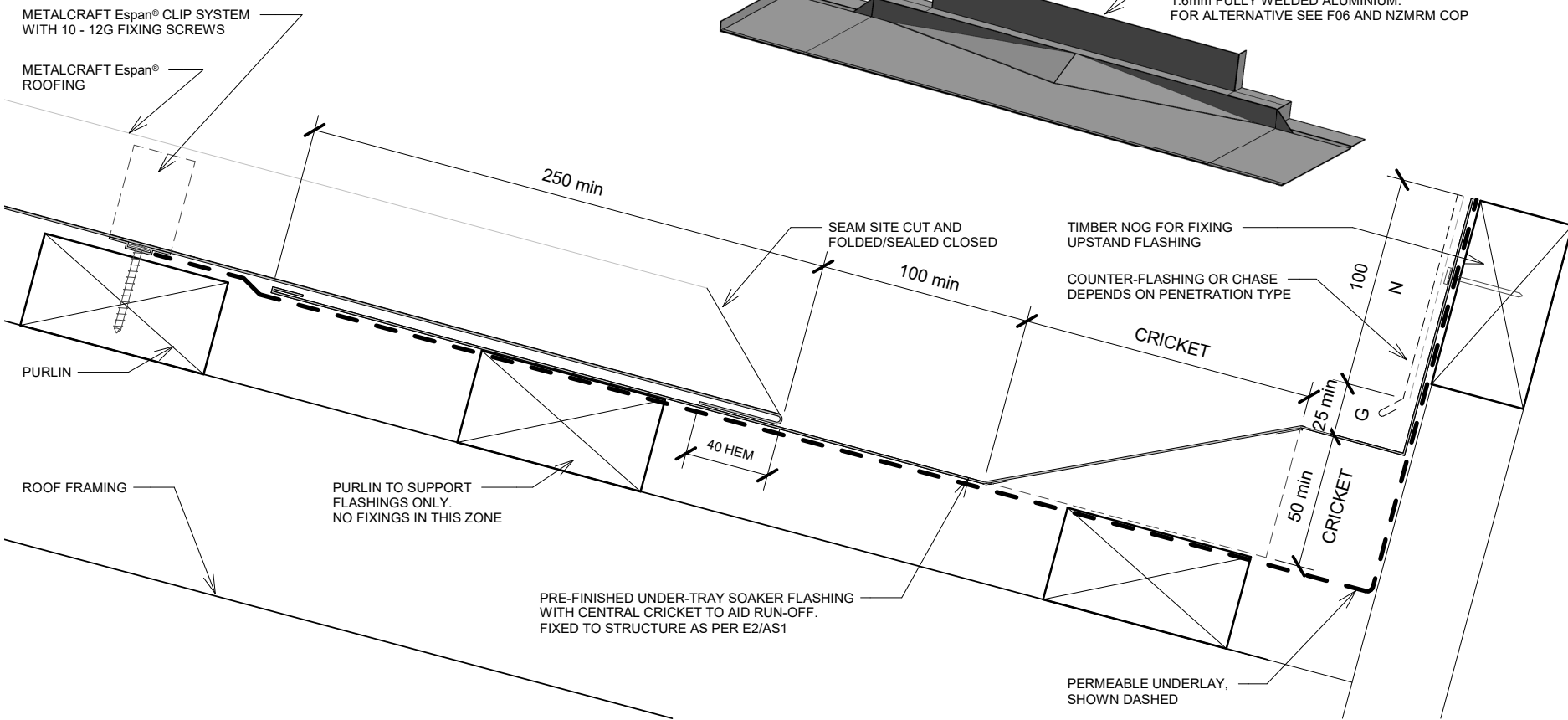
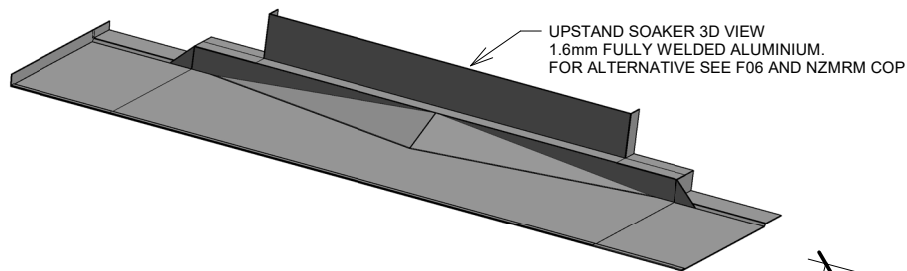


INSTALLATION STAGE 3

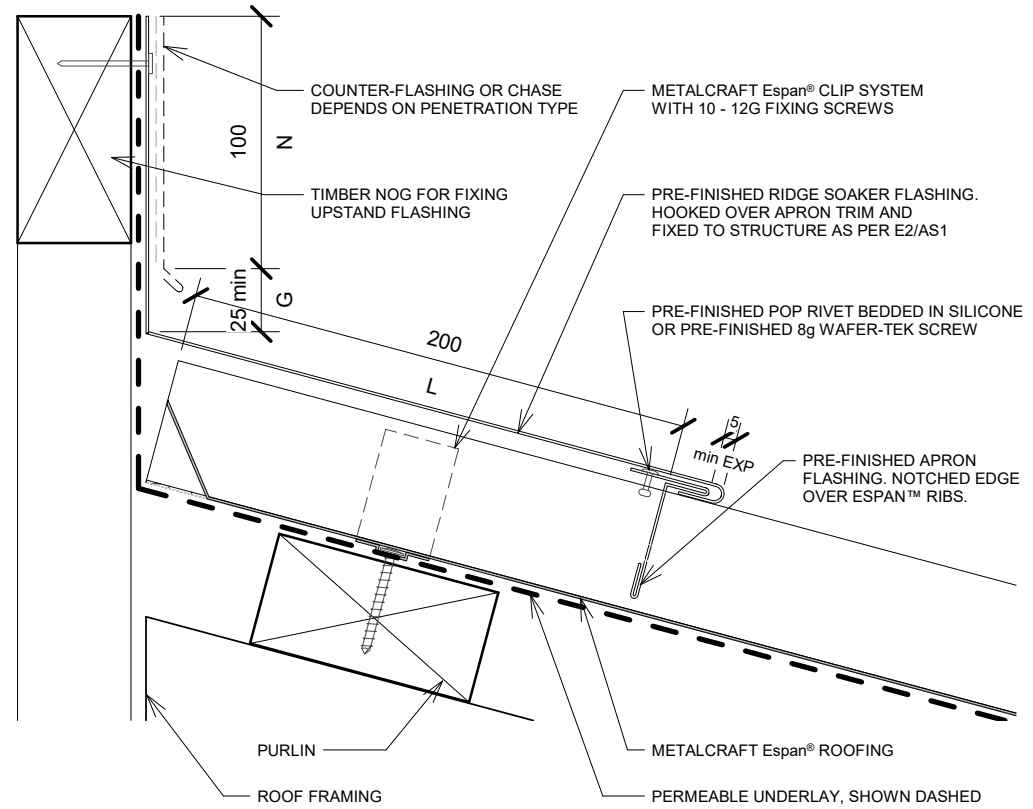
UPPER SHEETS INSTALLED LAPPING OVER CRICKET SOAKER FABRICATION
 HEM Espan® SHEET ENDS. REFER TO DETAILS



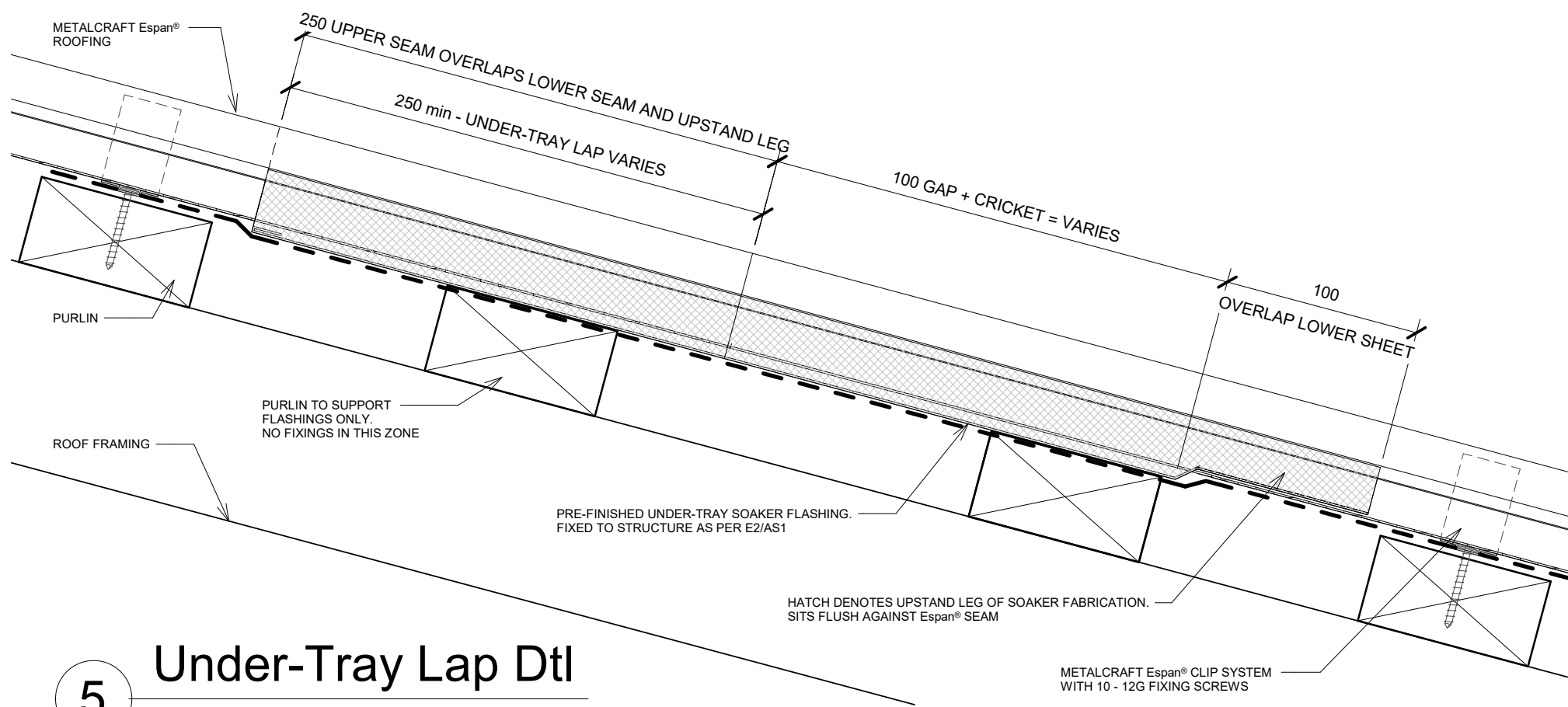
INSTALLATION STAGE 4



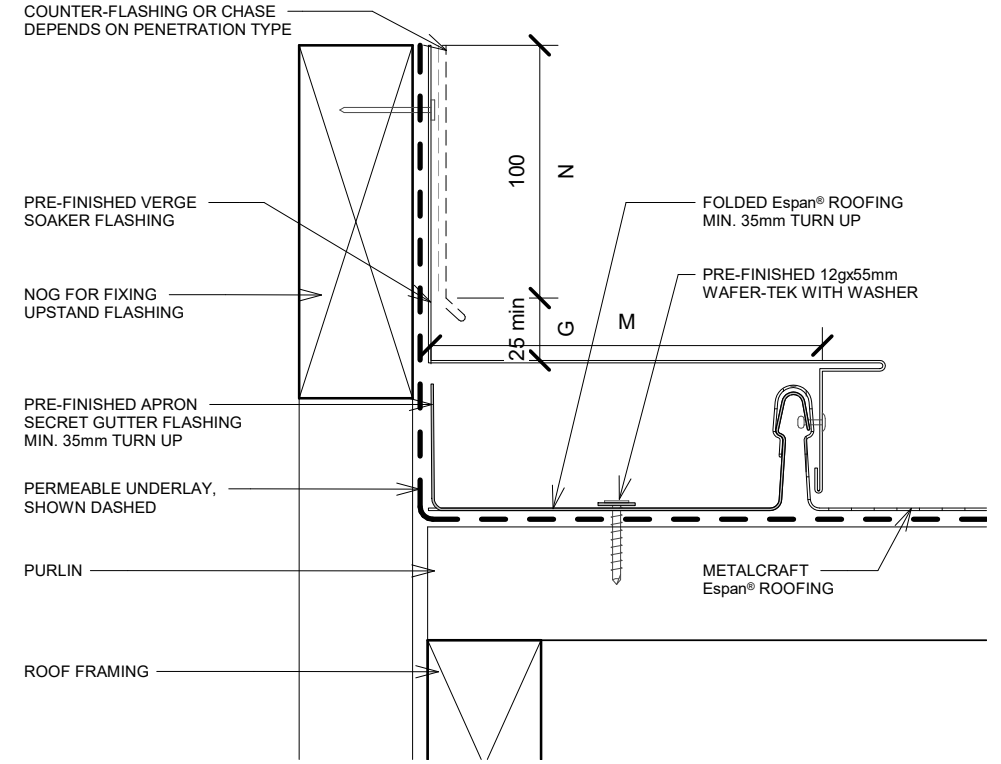
1 Wide Upstand Under-Tray
1 : 3



2 Ridge Upstand Dtl
1 : 3



5 Under-Tray Lap Dtl
1 : 3



4 Verge Upstand Dtl
1 : 3